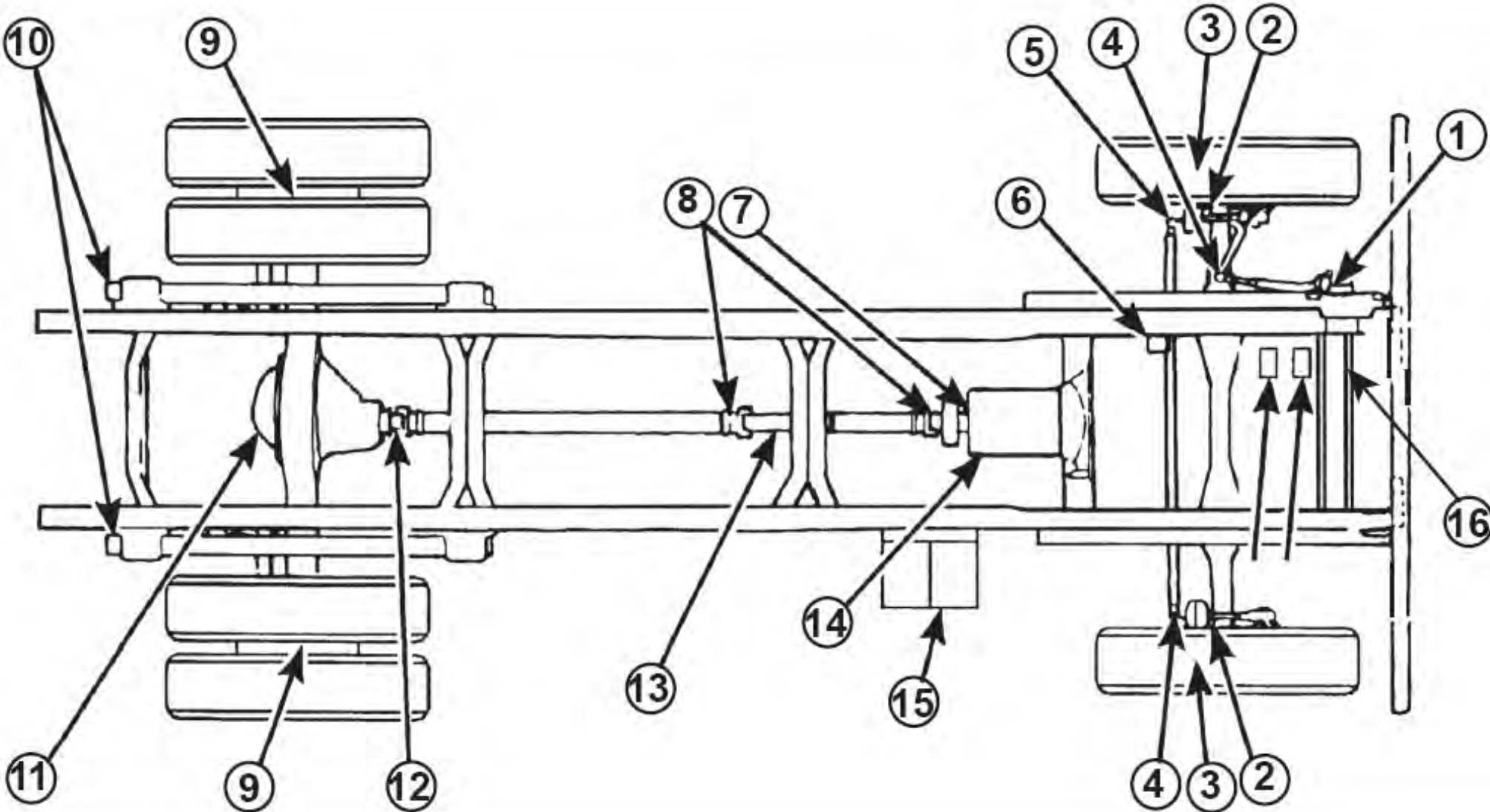


CHASSIS LUBRICATION CHART — TYPICAL W SERIES CHASSIS



Service

ITEM	COMPONENT	REMARKS
1	Steering Drag Links	One fitting each end.
2	Front Steering Knuckles	One fitting each side. (Hand operated grease gun only.)
3	Front Wheel Bearings	SAE 90W GL-5 Gear oil or optionally Chevron Delo Gear ESI SAE-80W90 gear oil. Sealed hubs do not require periodic maintenance.
4	Steering Drag Links	One fitting each end.
5	Steering Tie Rods	One fitting each end.
6	Spring Slip Pads	Apply chassis lube. (W42 only)
7	Parking Brake Clevis Pin	Apply chassis lube.
8	Prop Shaft U-Joints	One fitting each joint; lube with Grade 1 Wheel Bearing Lubricant.
9	Rear Wheel Bearings	Lubricated by rear axle lubricant
10	Spring Slip Pads	Apply chassis lube. (W42 only)
11	Rear Axle	Fill to level of filler plug.
12	Universal Joints	One fitting each joint; lube with Grade 1 Wheel Bearing Lubricant.
13	Prop Shaft Slip Joint	One fitting. each joint; lube with Grade 1 Wheel Bearing Lubricant.
14	Transmission	Refer to "Automatic Transmission Fluid" earlier in this section.
15	Battery Terminals	Keep coated with petroleum jelly.
16	Brake Bell Crank	One fitting; apply chassis lube.

W Series

© WORKHORSE CUSTOM CHASSIS — All Rights Reserved